



Easy Network Camera Quick Setup Guide

NO:101-300-0629-01
Issue:1.1

Precautions

Fully understand this document before using this device, and strictly observe rules in this document when using this device. If you install this device in public places, provide the tip "You have entered the area of electronic surveillance" in an eye-catching place. Failure to correctly use electrical products may cause fire and severe injuries.

WARNING	It alerts you to moderate dangers which, if not avoided, may cause minor or moderate injuries.
CAUTION	It alerts you to risks. Neglect of these risks may cause device damage, data loss, device performance deterioration, or unpredictable results.
NOTE	It provides additional information.

WARNING

- Strictly observe installation requirements when installing the device. The manufacturer shall not be held responsible for device damage caused by users' non-conformance to these requirements.
- Strictly conform to local electrical safety standards and use power adapters that are marked with the LPS standard when installing and using this device. Otherwise, this device may be damaged.
- Use accessories delivered with this device. The voltage must meet input voltage requirements for this device.
- If this device is installed in places with unsteady voltage, ground this device to discharge high energy such as

electrical surges in order to prevent the power supply from burning out.

- When this device is in use, ensure that no water or any liquid flows into the device. If water or liquid unexpectedly flows into the device, immediately power off the device and disconnect all cables (such as power cables and network cables) from this device.
- Do not focus strong light (such as lighted bulbs or sunlight) on this device. Otherwise, the service life of the image sensor may be shortened.
- If this device is installed in places where thunder and lightning frequently occur, ground the device nearby to discharge high energy such as thunder strikes in order to prevent device damage.

CAUTION

- Avoid heavy loads, intensive shakes, and soaking to prevent damages during transportation and storage. The warranty does not cover any device damage that is caused during secondary packaging and transportation after the original packaging is taken apart.
- Protect this device from fall-down and intensive strikes, keep the device away from magnetic field interference, and do not install the device in places with shaking surfaces or under shocks.
- Clean the device with a soft dry cloth. For stubborn dirt, dip the cloth into slight neutral cleanser, gently wipe the dirt with the cloth, and then dry the device.
- Do not jam the ventilation opening. Follow the installation instructions provided in this document when installing the device.
- Keep the device away from heat sources such as radiators, electric heaters, or other heat equipment.
- Keep the device away from moist, dusty, extremely hot or cold places, or places with strong electric radiation.
- If the device is installed outdoors, take insect- and moisture-proof measures to avoid circuit board corrosion that can affect monitoring.
- Remove the power plug if the device is idle for a long time.
- Before unpacking, check whether the fragile sticker is damaged. If the fragile sticker is damaged, contact customer services or sales personnel. The manufacturer shall not be held responsible for any artificial damage of the fragile sticker.

Special Announcement

- All complete products sold by the manufacturer are delivered along with nameplates, quick setup guide and accessories after strict inspection. The manufacturer shall not be held responsible for counterfeit products.
- The manufacturer will update this manual according to product function enhancement or changes and regularly update the software and hardware described in this manual. Update information will be added to new versions of this manual without prior notice.
- This manual may contain misprints, technology information that is not accurate enough, or product function and operation description that is slightly inconsistent with the actual product, the final interpretation of company is as a standard.
- This manual is only for reference and does not ensure that the information is totally consistent with the actual product. For consistency, see the actual product.

NOTE

For more information, please refer to website.

1 Open Package Examination

Open the package, check the appearance of product for no obvious damage, and confirm the item list for table 1-1 is consistent.

Table 1-1 Packing list

Component	Quantity	Remark
Easy Network Camera	1	
Quick Setup Guide	1	
Installation location sticker	1	Optional
Accessories package	1	

2 Device Structure

2.1 Device Port

NOTE

Different devices may have different multi-head cables; Please refer to the actual product.

Figure 2-1 Multi-head cable 1

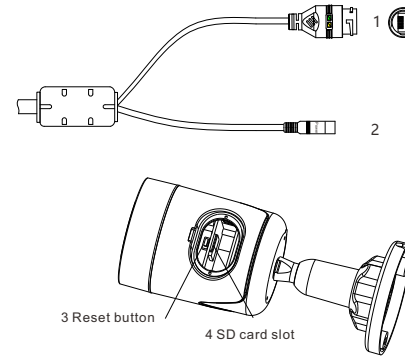


Table 2-1 Multi-head 1 cable description

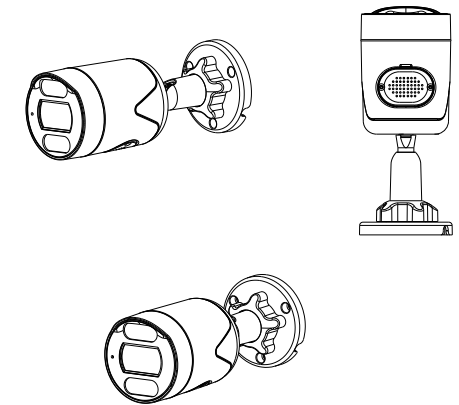
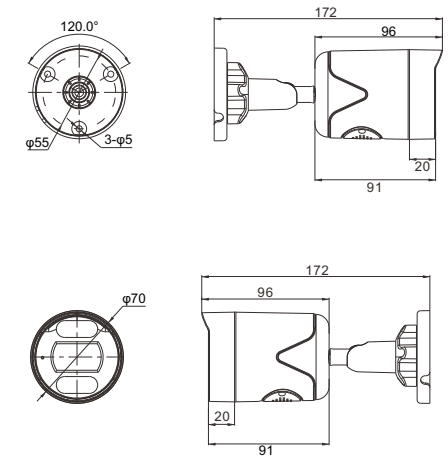
ID	Core	Description	Remark
1	Network interface	Connect to a standard Ethernet cable or PoE. The green light is on, the network connection is normal; The yellow light flashes when the data is transmitted. Some models may not have the lights; Please refer to the actual product.	Support POE supply. Some model may not have the lights
2	Power supply (DC 12V)	Connect to a DC12V power supply.	
3	Reset button	Long press the reset button for 5s to restore to the original settings.	
4	SD card slot	Support SD card, it up to support 256G.	

2.2 Camera Dimensions

NOTE

Different devices may have different dimensions; Please refer to the actual product.

Figure 2-2 Dimensions (Unit: mm)



3 Quick Configuration(e.g IE)

3.1 Login

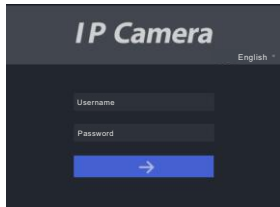
Step 1 Open the Internet Explorer, input the IP address of IP camera (the default value is 192.168.0.123) in the address box, and press Enter. The login page is displayed as shown in figure 3-1.

Step 2 Input the user name and password.

NOTE

- The default user name is admin. The default password is admin. Change the password when you log into the system for first time to ensure system security.
- You can change the system display language on the login page.

Figure 3-1 Login

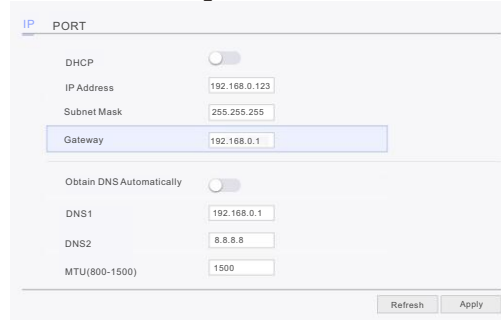


Step 3 Click Login icon, the main page is displayed.

3.2 Modify IP address

Choose **Setting > Network > IP**, the **Network** page is displayed. Input the IP address in the IP Address box and click **Apply** as shown in figure 3-2. After the IP address is set successfully, please use the new IP address to log in the Web interface.

Figure 3-2 Network



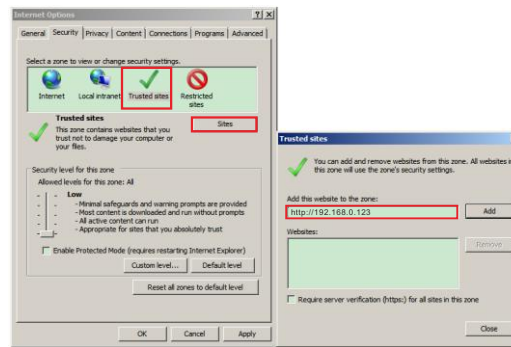
3.3 Browsing Video

To ensure the real-time video can be played properly, user must perform the following operation when you login the web at the first time:

If user can view the video directly, you can ignore the step of adding trusted sites.

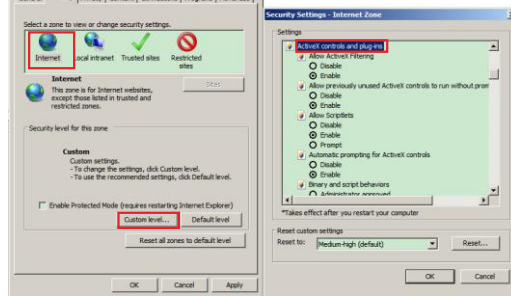
Step 1 the Internet Explorer. Choose **Tools > Internet options > Security > Trusted sites > Sites**, in the display dialog box, click **Add**, as shown in figure 3-3.

Figure 3-3 Adding a trusted site



Step 2 In the Internet Explorer, choose **Tool > Internet Options > Security > Customer level**, and set **Download unsigned ActiveX control** and **initialize and script ActiveX controls not marked as safe for scripting under ActiveX controls and plug-ins to Enable**, as shown in figure 3-4.

Figure 3-4 Configuring ActiveX control and plug-in



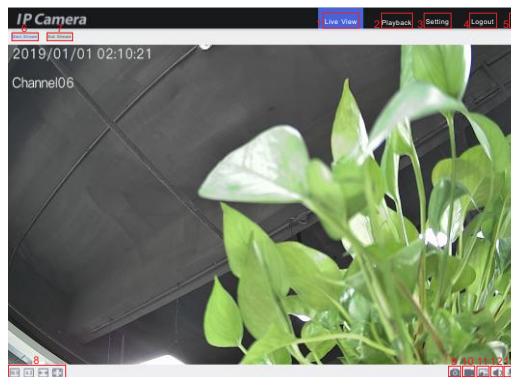
Step 3 Download and install the player control as prompted.

NOTE

If the repair tips displayed when installing the control, please ignore the prompt, and continue the installation, during the installation, close the browser. After installation login again to enter the live view.

To browse a real-time video, click **Live View**. The Live Video page is displayed, as shown in figure 3-5.

Figure 3-5 Live view



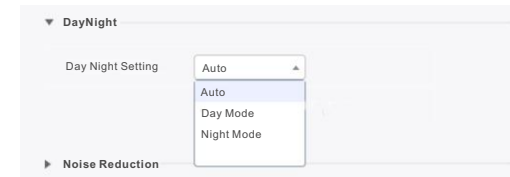
Description:

1. User can view the live view.
2. Playback, if the device install the SD card, user can view playback recording
3. Click **Setting** into the setting interface, set the parameter of device.
4. Click **Logout** to exit the live view interface, user need to input password to login again.
5. The alarm, when the alarm action is happening, the icon will show.
- 6 and 7 to switch the stream.
8. Switch the aspect ratio. Double-click in the video area to enter the full-screen mode, and double-click again to exit.
9. Snapshot, the picture will save to local folder(**Setting > Local**).
10. Record, click this and record the live view and save to local folder.
11. Click the icon to open the Image Setting page. On the Image Setting page, user can set image, scene, WB, day night, noise reduction, enhance image.
12. Audio, click open or close the audio.
13. Interphone, click open or close the interphone.

3.4 Day Night

To set the encode parameters, choose "**Setting > Image > Image**", the "**Day Night**" page is displayed, as shown in figure 3-6.

Figure3-6 Day-Night



Infrared lamp & warm light mode :

Auto: The image will be colored when the light strength is strong; The image would be white-black when the light strength is low, the infrared lamp will be open. It will open the white light when capture the human body, if the human is disappear, the white light will be lasting 30s, the white light is be closed, infrared lamp will be open.

Day Mode: The image always be colored, it will open the white light when the light strength is low.

Night Mode: The image will be colored when the light strength is strong; The image would be white-black when the light strength is low, the infrared lamp will be open.

Infrared lamp mode:

Auto: The image will be colored when the light strength is strong; The image would be white-black when the light strength is low, the infrared lamp will be open.

Day Mode: Never open the infrared lamp, the image is colored.

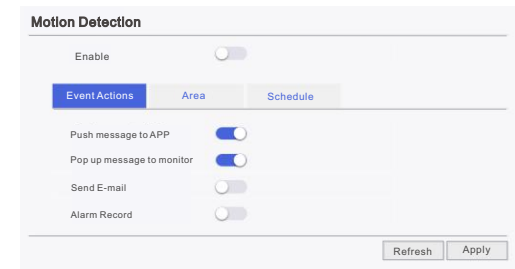
Night Mode: Open the infrared lamp, the image is white and black.

Timing: When the time reaches the setting time, the mode will be switched to night or day.

3.5 Motion Detection

To set alarm information, Choose "**Setting > Alarm > Motion Detection**", the page is displayed, as shown in figure 3-7.

Figure3-7 Motion Detection



Click **Enable** to enable the motion detection alarm. **Event Actions:** User can choose four modes to get the alarm messages.

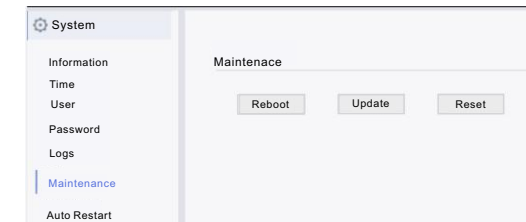
Area: Drag the mouse left to choose area to set many areas, double-click left button to delete areas. **Schedule:** Set the time of opening alarm.

- Click to choose all day and all week.
- Drag the mouse left button to choose hours.
- Choose the hours one by one.

3.6 Maintenance

Choose "**Setting > System > Maintenance**" the "**Camera Maintenance**" is displayed, as shown in figure 3-8. User can reboot, update and reset the camera in this page.

Figure3-8 Camera Maintenance



- Click **Reboot**, the message "Are you sure to restart?" is displayed, then click **OK**, the device is restarted successfully five minutes later.
- Click **Update** to update software, choose software and confirm to update.
- Click **Reset**, the message "Are you sure to reset?" is displayed, then click **OK**, the device is reset to the factory settings.

CAUTION

After you click reset, all parameters will be restored to the factory settings. Use this function carefully.